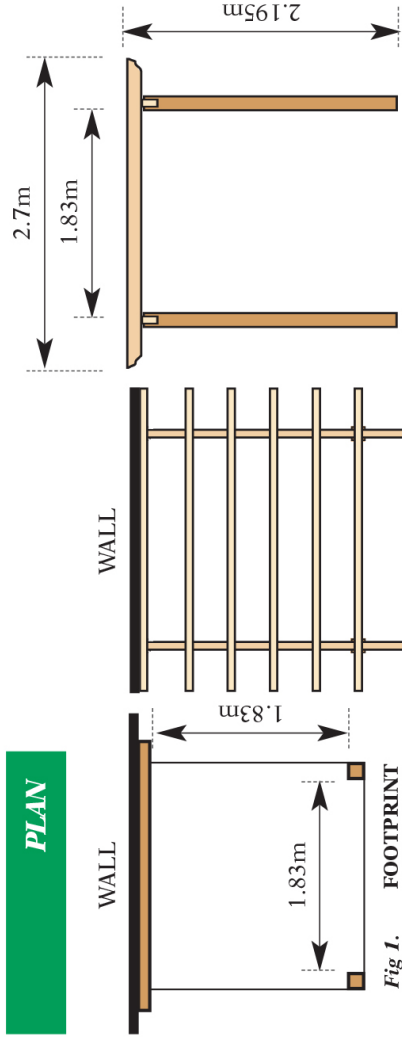


Make Your Garden Smile :)

TRADITIONAL PATIO PERGOLA

ALL PRODUCTS ARE MEASURED TO THE HIGHEST AND WIDEST POINT AND ALL SIZES ARE APPROXIMATE

PLAN



PLEASE SEE OVERLEAF FOR ASSEMBLY INSTRUCTIONS

NB. These instructions describe the concrete-in method of fixing using 2.7m posts. Bolt Down Anchors or Spikes may be used with 2.1m posts as alternative methods of fixing.



Grange Code: PKTPPA

eDecks
1A Hook Road
Goole
DN14 5JB
0330 100 2530



TRADITIONAL PATIO PERGOLA (PKTPPA)

PARTS SUPPLIED

Ref.	Description		Qty.
A	POSTS		2
B	RAFTERS		2
C	RAFTERS		5
D	RAFTER		1
E	'U' CLIPS		10

TRADITIONAL PATIO PERGOLA ASSEMBLY INSTRUCTIONS

1x HARDWARE PACK & ACCESSORIES:			
x	SCREWS 5 x 70mm		6
y	SCREWS 4 x 40mm		40
z	SCREWS 5 x 100mm		3

TOOLS REQUIRED (not supplied)
CROSS HEAD SCREWDRIVER

BEFORE YOU START

- Check the pack/s and make sure that you have all of the parts listed above. If not, contact your retailer who will be able to help you.
- When you are ready to start, make sure you have the right tools to hand, plenty of space and a clean, dry area for assembly.
- It is advisable for two people to carry out the work.

SITE PREPARATION

Excavate a 300mm square hole (approx) for each post to a depth of at least 300mm. (see Fig.A)

We would recommend that you use **MetCrete**, fast set post fixing concrete to fix your posts. Easy to use, it sets in just 10 minutes.

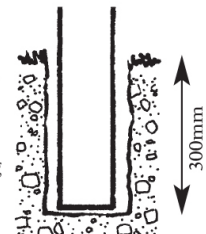
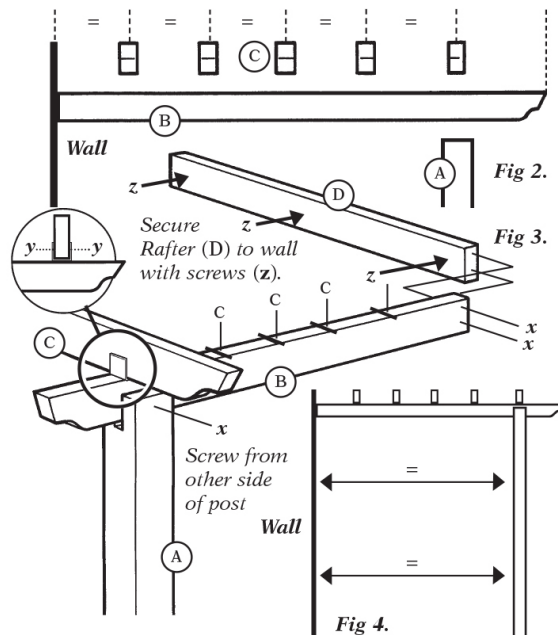


Fig A.

ASSEMBLY

1. It is advisable to mark each of the Rafters (B), used as supports, where the roof rafters will be fixed, before beginning assembly. For the suggested spacing see Fig.2.
2. The short Rafter (D) needs to be fixed to the wall at the same height as the rafter which locates into the top of the posts. This will need to be cut down to 1880mm.
3. This rafter must be level and centrally fixed using three screws (z) as in Fig.3.
4. Assemble one of the Rafters (B) into one of the posts (A) and secure the free end to the end of the rafter fixed to the wall.
5. Next, fix the second Rafter (B) to the other post and fix it to the other end of the wall mounted rafter using 2x screws (x) each side (Fig.3).
6. Position one of the Rafters (C) at the front end of Rafters (B) at the post position and fix in place using the 'U' Clips (E). The distance between the front posts should be 1830mm. Fix Rafters (B) in position with screws (x).
7. Fix all remaining rafters at the points previously marked on Rafters (B) using 'U' Clips.
8. Adjust the post positions so that the structure is level and upright (see Fig.4).
9. Finally, fix the posts into position using the method for the kit selected.



WHEN USING AS AN EXTENSION TO THE TRADITIONAL PERGOLA

To allow the Traditional Patio Pergola to be added to the Traditional Pergola the following changes need to be made.

The Rafters (B) in the Traditional Patio Pergola have to fit into the top of the posts of the Traditional Pergola. To enable this to be done the two Rafters (B) in the Traditional Pergola kit need to be cut down to the same size as the (B) Rafters in the Traditional Patio Pergola kit.

Once this has been done the two rafters should be located into the top of the posts.